

Full Height Turnstile TS 2

Technical Data

Dimensions:

Length:	1176 mm
Width:	1400 mm
Height:	2123 mm

Materials:

Options for finishes:
Stainless steel 316
Stainless steel 304
Galvanized steel
Powder coated steel

Modes:

Options for:
Free rotation
Bi-directional
Single direction
Locked

Power failure:

Options for:
Automatic opening
Automatic locking

Throughput: 20 persons/minute

Protection: IP54

Supply Voltage: 230 or 110 VAC

Frequency: 50 Hz

Current: 2.5 A

Weight: 350 kg

Base Bearing

100% corrosion resistant

Self lubricating

No routine maintenance or servicing

Ensures complete single rotation

Anti-Trap Safety System

Ensures complete single rotation

No mid-rotation locking or trapping

Locking Mechanism

No routine maintenance or servicing

Self lubricating

Zinc plated for high corrosion resistance

Suspended Rotor Technology

Shock absorbing suspension system

Super quiet, buffered solenoids and pawls



Technical Data

Dimensions:

Length: 1176 mm
Width: 1400 mm
Height: 2123 mm

Materials:

Options for finishes:
Stainless steel 316
Stainless steel 304
Galvanized steel
Powder coated steel

Modes:

Free rotation
Bi-directional
Single direction
Locked

Power failure:

Options for:
Automatic opening
Automatic locking

Throughput:

20 persons/minute

Protection:

IP54

Supply Voltage: 230 or 110 VAC

Frequency: 50 Hz

Current: 2.5 A

Weight: 350 kg

Base Bearing

100% corrosion resistant
Self lubricating
No routine maintenance or servicing
Ensures complete single rotation

Anti-Trap Safety System

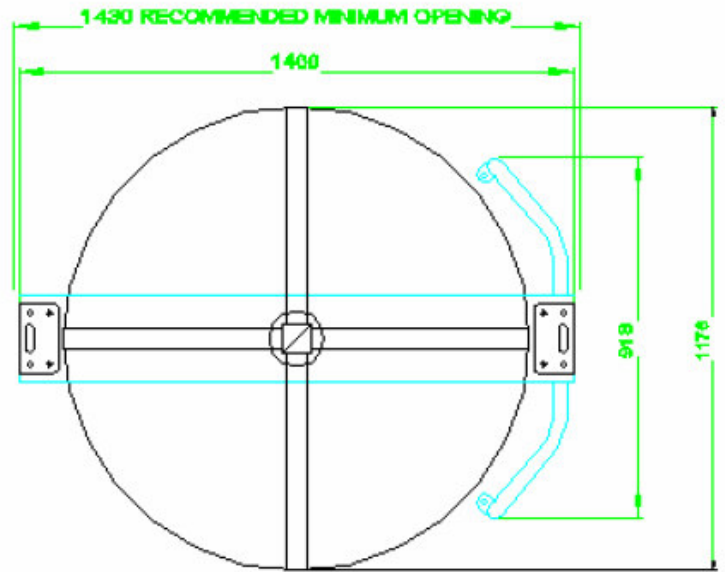
Ensures complete single rotation
No mid-rotation locking or trapping

Locking Mechanism

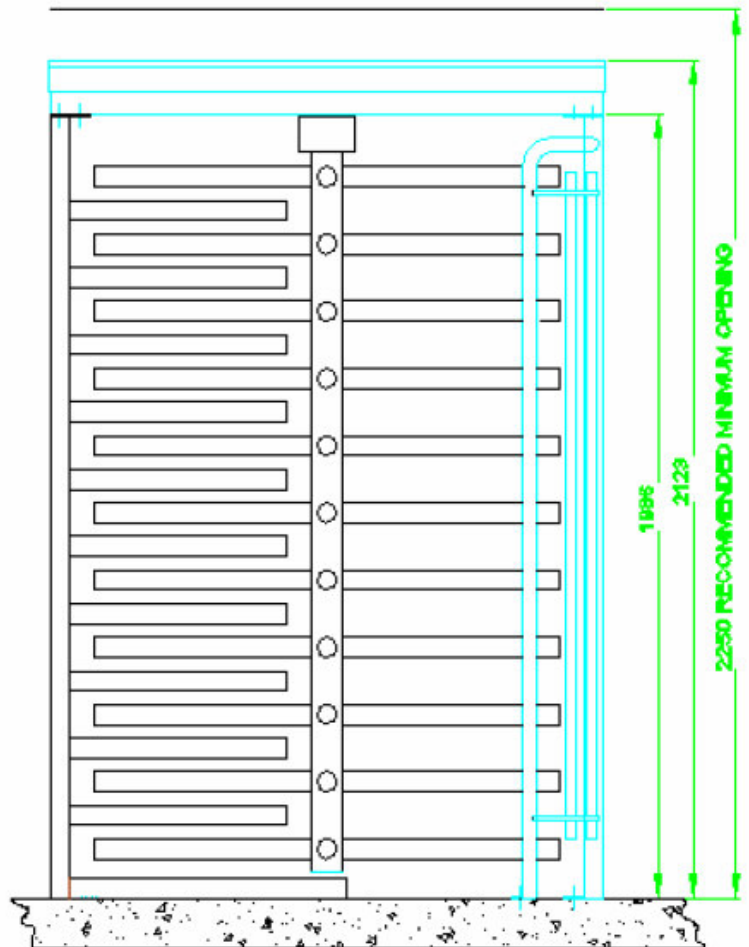
No routine maintenance or servicing
Self lubricating
Zinc plated for high corrosion resistance

Suspended Rotor Technology

Shock absorbing suspension system
Super quiet, buffered solenoids and pawls



PLAN VIEW



ELEVATION