

## Standard equipment

1. Rotating obstacle with 4 combs positioned at 90° to one another. Each comb consists of steel tubes welded to a vertical upright. The whole item is fixed to the upper rotating part and to the lower central wheel disc.
2. Fixed comb limiting passage to half of the turnstile, consisting of steel tubes bolted to the vertical uprights of the fixed panel (3).
3. Fixed panel limiting passage, consisting of vertical tubular steel profiles (rectangular and round), welded to a curved plate. This structure also supports the upper box section (4).
4. Upper box section holding the feed mechanism (5) and the control board (6), in sheet steel, with a double door fixed by lock and key.  
Diamond point roof for evacuation of water.
5. Feed mechanism consisting of:
  - Compensating arms with tension springs to keep the obstacle in neutral after passage.
  - Hydraulic damper slowing movement at the end of the cycle to enhance ease of use.
  - Mechanism preventing return of obstacle after 45° rotation, preventing passage fraud in the opposite direction.
  - Electromagnet(s) and cams ensuring mechanical locking of the obstacle in neutral position (only if at least one direction of passage is controlled: see "Operating modes" paragraph).
6. AS1300 Control board (only if at least one direction of passage is controlled : see "operating modes" paragraph), the main functions of which are :
  - Parameters set using an integrated keyboard and LCD screen, or a Modbus link with remote control.
  - Connection block for various commands (readers, unlocking ...) and recovery of information (position, counting ...).
  - Configuration of controlled operating mode.
  - Management of time delays (for instance, absence of passage).
  - Memorization of passage requests.
  - Etc.
7. Orientation pictograms on the upper box section (\*).
8. Passageway lighting in the upper box section (\*).
9. Dust-free seal between the central axis of the obstacle and the upper box section.
10. Automatic Systems supplies the necked-down bolts to fix the equipment upon firm flooring.

The TRS37x range full-height turnstile is designed to ensure high-security access control and management of the flow of persons.

The fruit of more than 40 years of experience, the sturdiness of their design and their total autonomy makes them particularly suitable to the external security of high-traffic sensitive sites, such as industrial, sports and commercial complexes, offices, airports, power plants, amusement parks, military bases, parking facilities, etc.

The turnstiles in the range are bi-directional and activated manually. They can also be linked together in line.

In this range, the TRS 371 is a **single gate** turnstile with **4 wings**, thereby offering a 90° passage section, ensuring a reduction of attempts to breach the single nature of passage.

## Operating modes

For each direction of passage, the possible configurations are the following (to be set using the control):

1. Free access (obstacle turning freely).
2. Permanently locked (obstacle blocked mechanically).
3. Locked, but unlocked in case of power failure.
4. Electrically controlled (free, locked, passage subject to authorisation) and locked mechanically in case of power failure.
- (standard) Electrically controlled (free, locked, passage subject to authorisation) and unlocked in case of power failure.

### Surface treatment

- Galvanized internal mechanical parts.
- Bodywork:
  - Turnstile obstacle (1), galvanized fixed comb (2) and panel (3).
  - Upper box section (4) treated by electrophoresis.
  - Finished in 2 coats of pale grey paint RAL7038.

### Technical characteristics (standard)

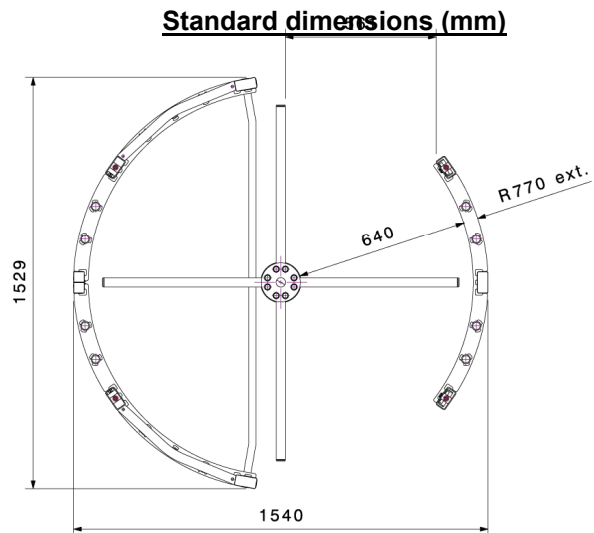
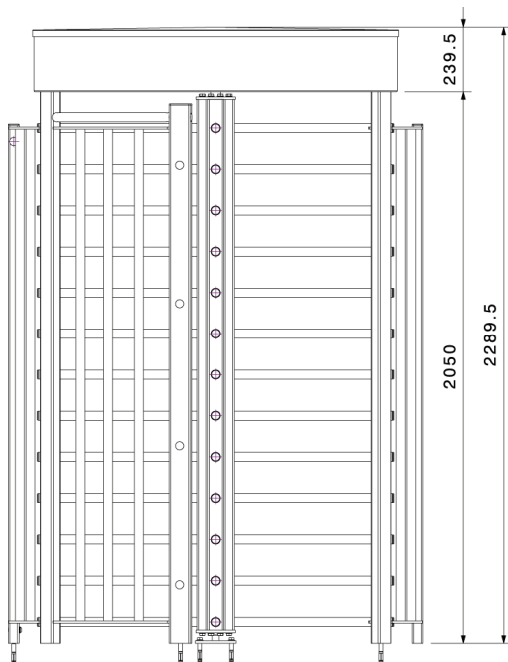
- Power supply (\*): single phase 120/230 VAC - 50/60 Hz.
- Nominal Power consumption (\*): 70 W.
- Operating temperature: from -10 to +50°C.
- Max. relative humidity: 95%, without condensation.
- Net weight: 404 kg.
- Flow: 15 to 20 passages per minute, depending on the reaction time of the reader.
- MCBF (mean cycles between failures), respecting recommended maintenance: 1,000,000 cycles.
- MTTR (average repair time): 20 minutes.
- IP 43.
- Conforms to EC standards.

### Options

- Turnstile obstacle in AISI 304 stainless steel.
- Identical RAL paint for the fixed comb, the fixed panel and the upper box section (the turnstile obstacle is in RAL 7038).
- Key for the mechanical unlocking of the obstacle.
- Hood.
- Light-sensitive switch for the control of the lighting (\*).
- Heel guard on the tube of the mobile comb nearest to the ground.
- Fixing frame to be embedded in the concrete, to fix the equipment.
- Painted steel box to hold additional equipment, fixed upon a rectangular vertical upright ( n°3).
- Heating resistance for operation to -35°C (230 V – 550 W).
- UL-compliant heating resistance for operation to -35°C (120 V – 550 W).
- UL-compliant power supply (120 VAC – 60 Hz).

### Customer's charge

- Masonry work as required per general layout drawing.
- Power supply (\*).



(\*) Only for a turnstile equipped with a control board, that is to say operating in mode 3, 4 or 5, at least in one direction.